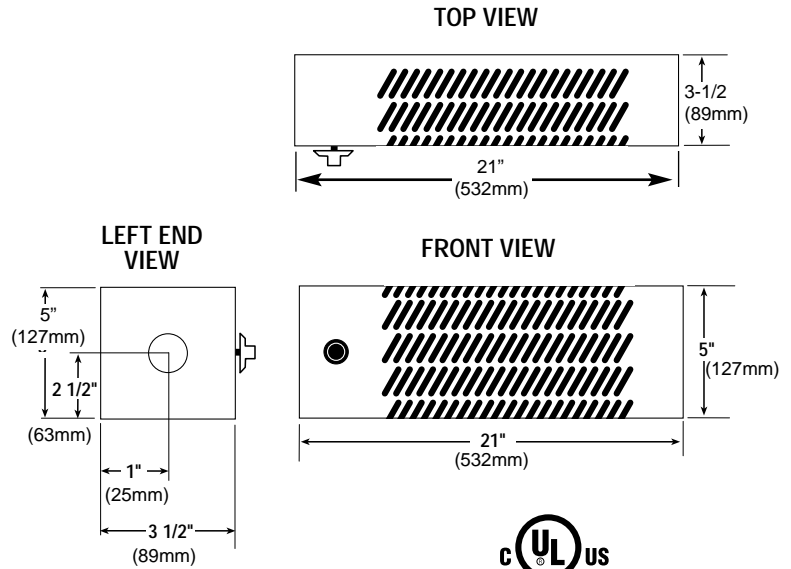




**Marley**  
Engineered Products

**Surface Mounted  
Utility Heater  
HT500**



c  us  
FILE #21609

**Installation & Maintenance Instructions**

Dear Owner,

*Congratulations! Thank you for purchasing this new heater manufactured by a division of Marley Engineered Products. You have made a wise investment selecting the highest quality product in the heating industry. Please carefully read the installation and maintenance instructions shown in this manual. You should enjoy years of efficient heating comfort with this product from Marley Engineered Products... the industry's leader in design, manufacturing, quality and service.*

*... The Employees of  
Marley Engineered Products*

**WARNING**

**Read Carefully** - This instruction sheet contains vital information for the proper installation, use and efficient operation of the heater. Carefully read the manual before installation, operation or cleaning of the heater. Failure to adhere to the instruction could result in fire, electric shock, death, serious personal injury or property damage. Save these instructions and review frequently for continuing safe operation and instructing future users.

**WARNING: HAZARD OF FIRE OR ELECTRICAL SHOCK**

1. To prevent a possible electric shock, disconnect all power to heater at main service panel before wiring or servicing.
2. All wiring must be in accordance with the National and Local Electrical Codes and the heater must be grounded.
3. Do not install closer than 18" (456mm) to the floor or 12" (304mm) from the ceiling. End of heater may be next to adjacent walls. Do not install in vertical position.
4. Heater is hot when in use. Do not install the heater behind door, behind towel rack, in closet, where curtains or drapes can touch

heater or where air flow through the heater may be obstructed. Keep electrical cords, bedding, furniture and other combustible away from heater.

5. Do not operate heater without cover in place. Cover must be secured with screws to prevent unintentional removal.
6. Do not insert or allow foreign objects to enter or touch the heater or heating element as this may cause an electric shock, fire or damage to heater.
7. Heater has hot and arcing or sparking parts inside. Do not use in areas where gasoline, paint, or flammable liquids are used or stored.
8. Do not use this heater in an environment where heater will be subjected to direct contact with water.
9. Do not use in a corrosive environment.
10. Supply voltage must be the same as heater voltage. Check heater nameplate and supply voltage before energizing.

**SAVE THESE INSTRUCTIONS**

## General

The HT500 Utility Heater is designed for horizontal wall mounting only. The built-in thermostat allows for adjustment of the heat output from 40° to 70° F. The heater is factory wired for use at 240/208 volts but can be re-wired for use at 120 volts.

## Installation

1. Remove the grille cover by removing the 2 screws on the front of the cover.
2. Position the heater on wall at desired mounting location maintaining the minimum clearances as noted in Warning 3 and as shown in Figure 1.

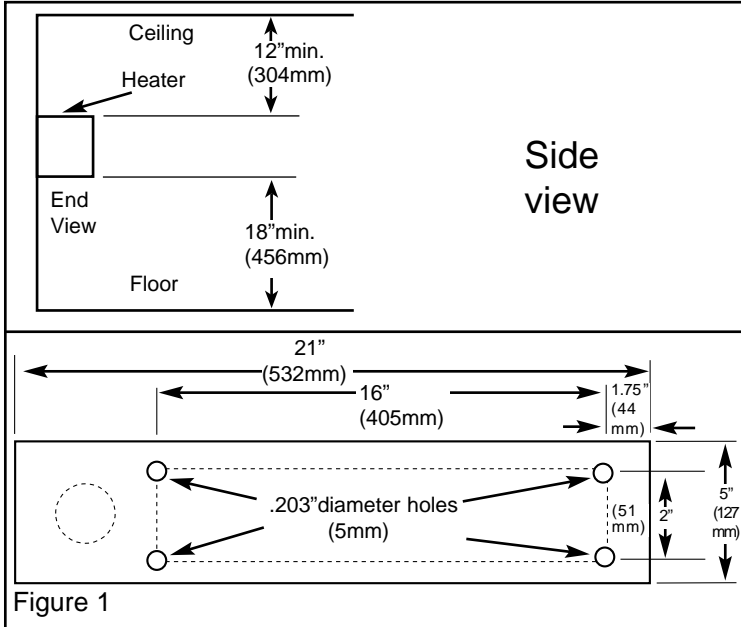


Figure 1

**NOTE: The heater MUST be mounted horizontally to allow air flow freely upward through the heating element. Thermostat can be located towards either end of heater.**

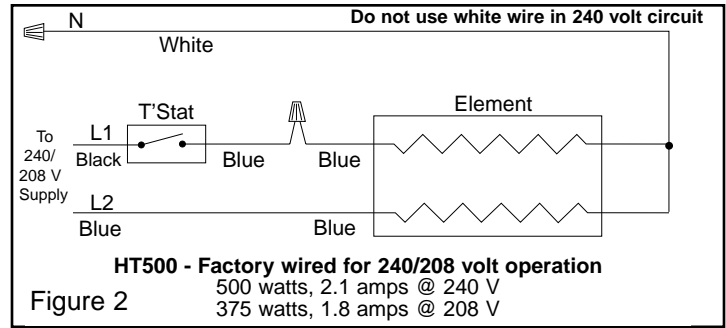
3. Securely fasten the heater to the wall with screws or bolts using the four (4) pre-drilled holes in the heater back.

## Wiring

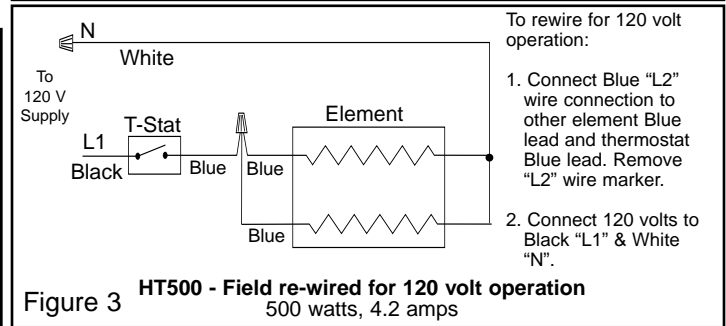
1. Bring power supply cable to heater and install into heater wiring compartment through the pre-punched 7/8" (22mm) hole in the end of control box. Be sure to use cable clamp on cable as required by the National Electric Code.
2. Connect the supply ground wire to the heater using the green colored ground screw.
3. To operate the heater at 208 through 240 volts, connect power supply wiring to heater wiring following the wiring diagram shown in Figure 2. **DO NOT USE THE WHITE WIRE MARKED "N" FOR WIRING TO 208 THROUGH 240 VOLTS.**
4. To operate the heater at 120 volts requires the heater to be re-wired as shown in Figure 3 by connecting blue L2 lead wire to wire connection of the other element blue lead wire and thermostat blue lead wire. Remove the L2 wire marker. Connect 120 volts to the black L1 lead and the white N lead. See Figure 3.
5. Complete the installation by replacing the grille cover using 2 screws removed earlier and 4 additional screws from parts bag. Remove thermostat knob from the parts bag and install.

## Heater Operation

1. Turn on the power supply to the heater.
2. Rotate the thermostat clockwise to the warmest setting. If the air temperature is below 70°F the heater should come on and



**HT500 - Factory wired for 240/208 volt operation**  
500 watts, 2.1 amps @ 240 V  
375 watts, 1.8 amps @ 208 V



**HT500 - Field re-wired for 120 volt operation**  
500 watts, 4.2 amps

To rewire for 120 volt operation:

1. Connect Blue "L2" wire connection to other element Blue lead and thermostat Blue lead. Remove "L2" wire marker.
2. Connect 120 volts to Black "L1" & White "N".

in a few moments the heating element will become warm. If the air temperature is above 70°F, the heater will not operate. A check of the thermostat setting has to occur when the air temperature is below 70°F

3. The thermostat range is from 40°F at full counterclockwise position to 70°F at full clockwise. Position thermostat at desired location. Thermostat will automatically cycle the heater on and off to maintain the desired temperature.

**NOTE:** The heater is designed to provide freeze protection and the thermostat may allow the heater to come on at the lowest setting if the space temperature drops below 40° F.

## Cleaning and Maintenance

This heater requires no maintenance. Periodic cleaning to remove accumulated dust and dirt is recommended. This should be done using a vacuum with brush. See Warning 1.

### LIMITED WARRANTY

All products manufactured by Marley Engineered Products are warranted against defects in workmanship and materials for one year from date of installation, except heating elements which are warranted against defects in workmanship and materials for five years from date of installation. This warranty does not apply to damage from accident, misuse, or alteration; nor where the connected voltage is more than 5% above the nameplate voltage; nor to equipment improperly installed or wired or maintained in violation of the product's installation instructions. All claims for warranty work must be accompanied by proof of the date of installation.

The customer shall be responsible for all costs incurred in the removal or reinstallation of products, including labor costs, and shipping costs incurred to return products to Marley Engineered Products Service Center. Within the limitations of this warranty, inoperative units should be returned to the nearest Marley authorized service center or the Marley Engineered Products Center, and we will repair or replace, at our option, at no charge to you with return freight paid by Marley. It is agreed that such repair or replacement is the exclusive remedy available from Marley Engineered Products.

THE ABOVE WARRANTIES ARE IN LIEU OF ALL OTHER WARRANTIES EXPRESSED OR IMPLIED. AND ALL IMPLIED WARRANTIES OF MERCHANTABILITY AND FITNESS FOR A PARTICULAR PURPOSE WHICH EXCEED THE AFORESAID EXPRESSED WARRANTIES ARE HEREBY DISCLAIMED AND EXCLUDED FROM THIS AGREEMENT. MARLEY ENGINEERED PRODUCTS SHALL NOT BE LIABLE FOR CONSEQUENTIAL DAMAGES ARISING WITH RESPECT TO THE PRODUCT, WHETHER BASED UPON NEGLIGENCE, TORT, STRICT LIABILITY, OR CONTRACT.

Some states do allow the exclusion or limitation of incidental or consequential damages, so the above exclusion or limitation may not apply to you. This warranty gives you specific legal rights, and you may also have other rights which vary from state to state.

For the address of your nearest authorized service center, contact Marley Engineered Products in Bennettsville, SC, at 1-800-642-4328. Merchandise returned to the factory must be accompanied by a return authorization and service identification tag, both available from Marley Engineered Products. When requesting return authorization, include all catalog numbers shown on the products.



SPX Corporation  
470 Beauty Spot Rd. East  
Bennettsville, SC 29512 USA