

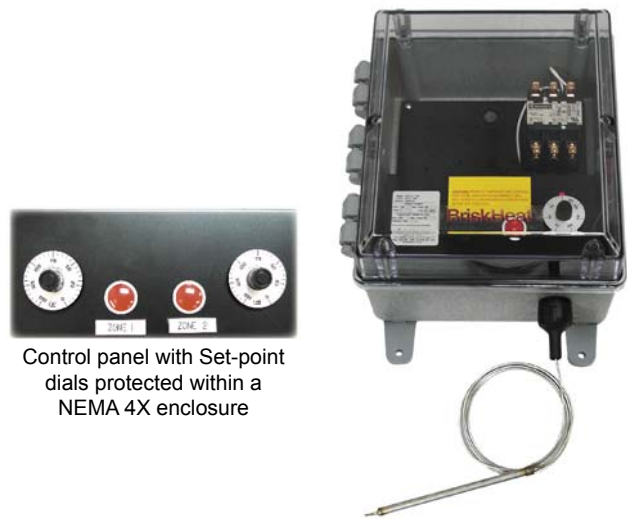
BriskHeat® TB4000 / 5000 Bulb and Capillary Temperature Controller

Product Highlights

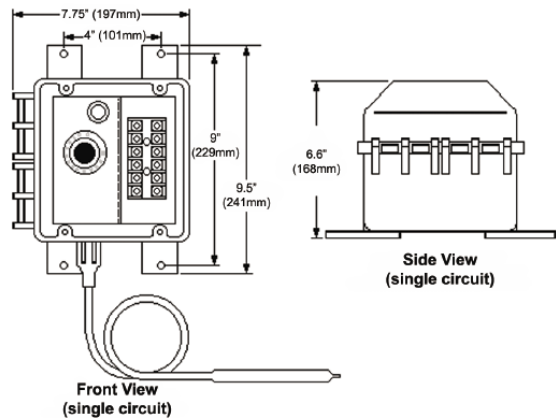
- ✓ Several configuration choices
- ✓ Suitable for outdoor use
- ✓ Manually set your desired temperature
- ✓ Bulb and capillary

Specifications:

- Four control configurations:
 - Single zone
 - Single zone with low or high limit alarm
 - Single zone with high-limit cutout
 - Dual zone
- Available amps:
 - 22 amps per zone with no contactors
 - 50 amps per zone with contactors
- 120, 240, 277, or 480VAC
- Differential 2% full scale
- Average accuracy of $\pm 5^{\circ}\text{F}$ (3°C)
- Enclosure NEMA 4X rated for outdoor use
- Maximum controller exposure temperatures: -40 to 160°F (-40 to 71°C)
- 304 stainless steel bulb and capillary, 10 feet (3m) long



Control panel with Set-point dials protected within a NEMA 4X enclosure



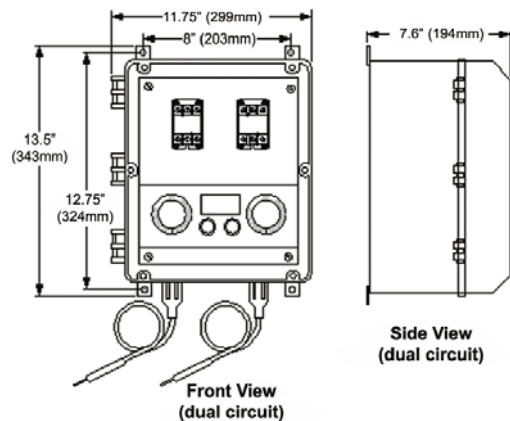
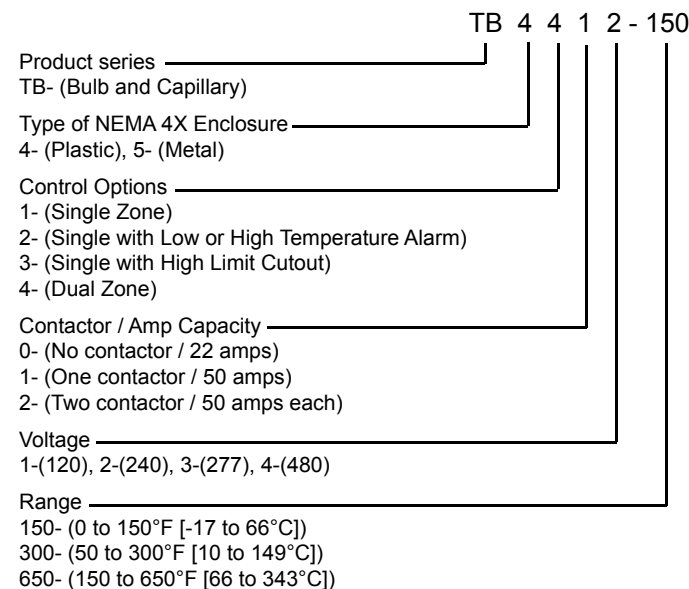
Single zone with no contactors
6" x 6" x 6" (152 x 152 x 152mm)

Bulb Dimensions

Temperature Range	Diameter		Length	
	Inches	mm	Inches	mm
0 to 150°F	3/8	10	6 7/8	175
50 to 300°F	3/8	10	4 3/8	111
150 to 650°F	3/8	10	3 5/8	92

Ordering Information:

Part Number Matrix



All other configurations
12" x 10" x 7" (305 x 254 x 178mm)

Accessories:

Part number	Description
TB4000-BW	3/4" NPT x 7" stainless bulb well

* Only one temperature range per controller