

SureHeat® JET

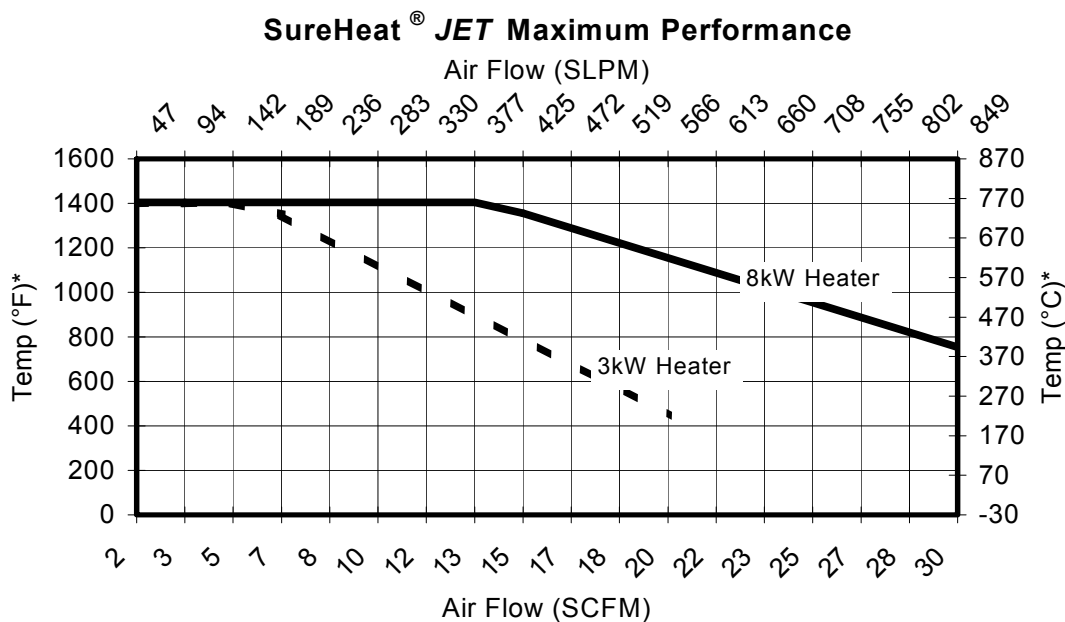
Air Heater

Specifications

- Precise, controlled hot air source for industrial applications, including sealing, drying, welding, sterilizing and soldering.
- Air temp controllable to 1400°F (760°C) ±1°
- Power 3.0kW - 8.0kW 240V~ 1Φ
- Two internal "K" TC sensors for control and safety:
 - S1 measures inlet temp.
 - S2 measures exit temp.
- Rapid heat-up and cool-down.
- Maximum air pressure 60 p.s.i. (5 bar)
- Safety approvals – CE, UL
- 'Ceramic-only' design for food packaging applications.
- Max inlet temp 200°F (93°C)
- Use SYLVANIA control system (purchased separately) for easy installation.



Performance



* Temp as measured by internal "K" thermocouple.

OSRAM SYLVANIA- Process Heat
131 Portsmouth Avenue
Exeter, NH 03833 USA
Tel: 603-772-4331
Fax: 603-772-1072
www.sylvaniaheaters.com



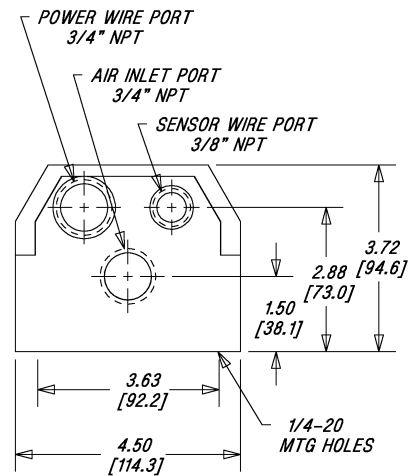
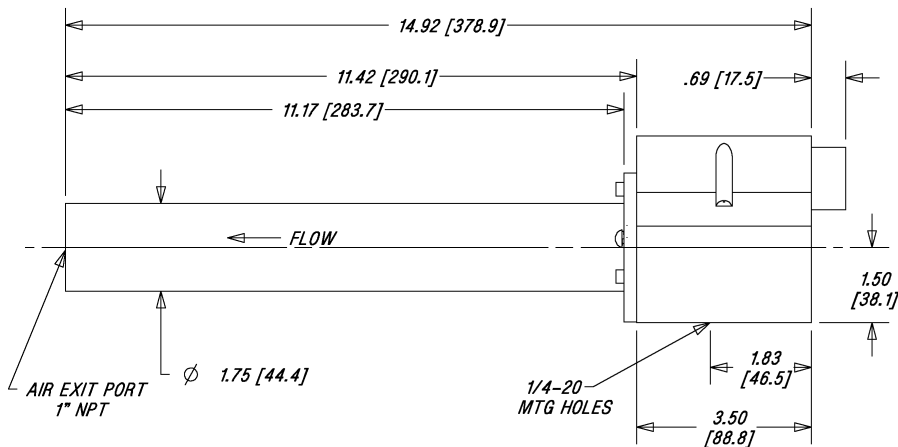
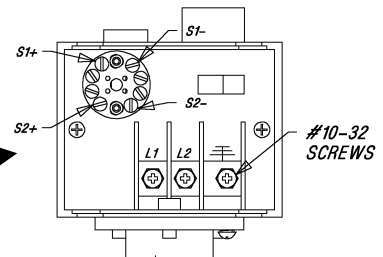
Products

Part Number	Description	Max Watts	Max Volts	Max Amps
F074718	SureHeat JET 3.0kW Heater	3.0kW	240V~ 1Φ 50/60 Hz	12.5
F074719	SureHeat JET 8.0kW Heater	8.0kW	240V~ 1Φ 50/60 Hz	33.3

Installation

Wiring Notes:

- S1 and S2 sensors are "K" type thermocouples.
- S1 measures inlet air temperature.
- S2 measures exit air temperature.
- See Operating Manual for control settings.



All dimensions in inches [mm].